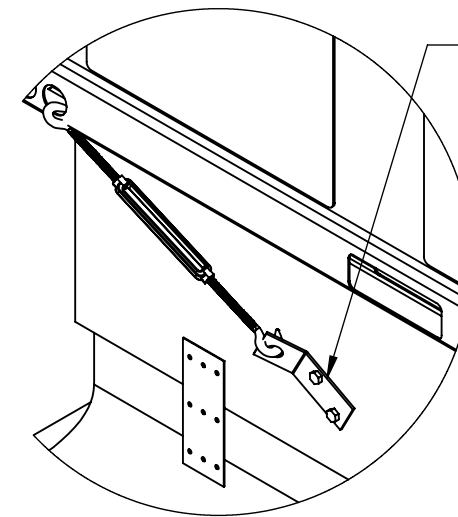


Installation Instructions:

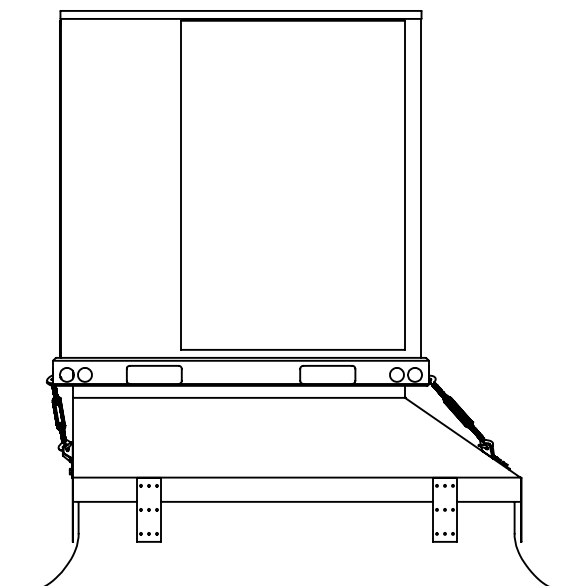
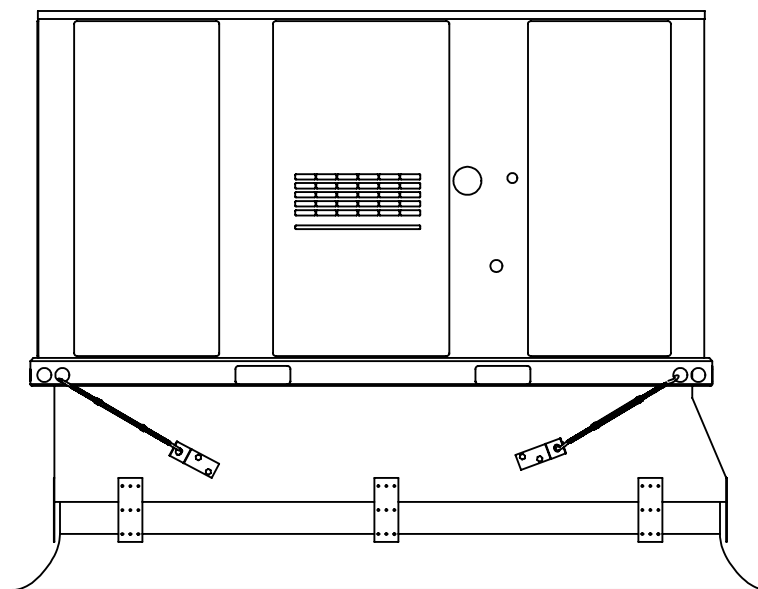
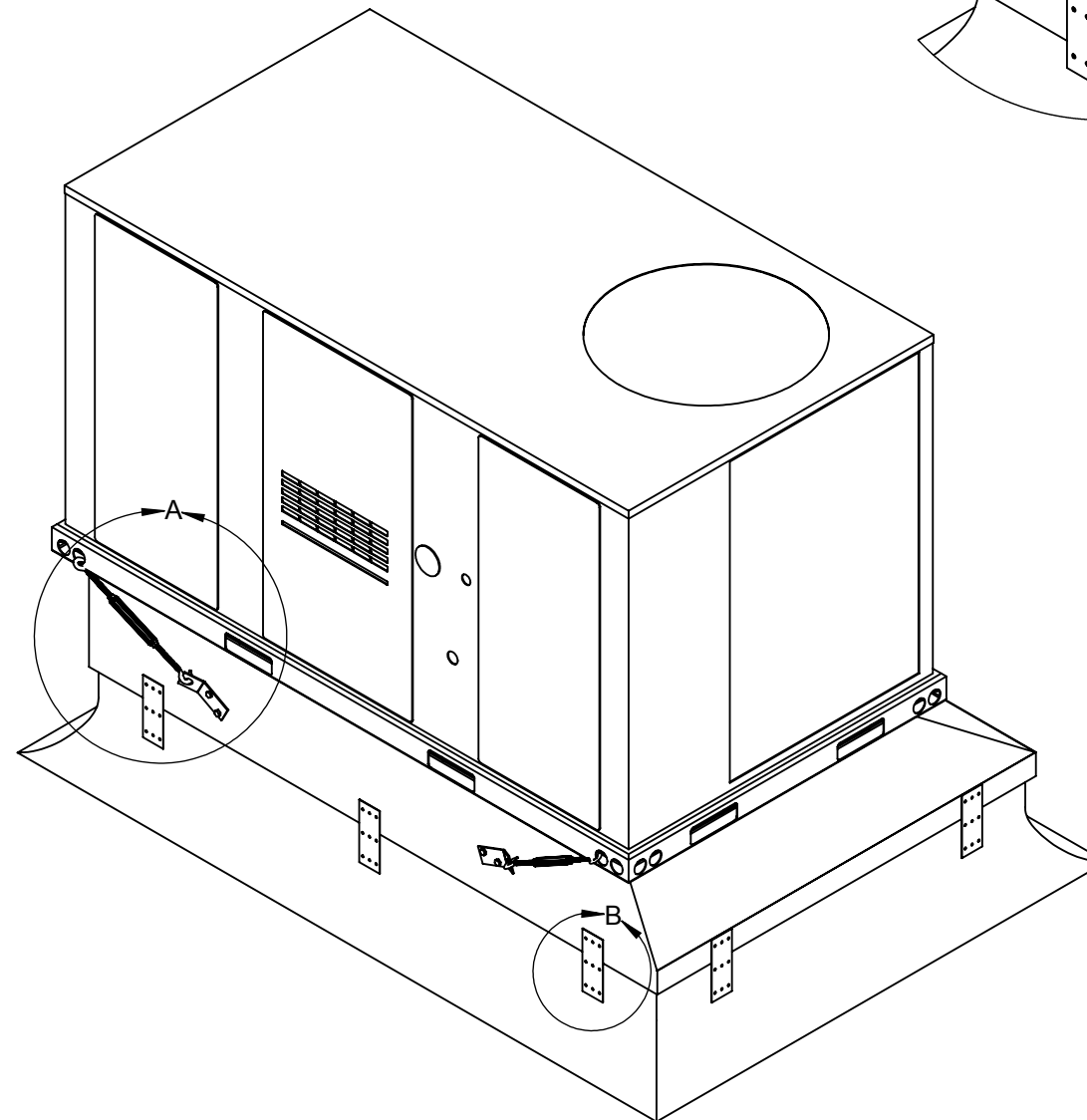
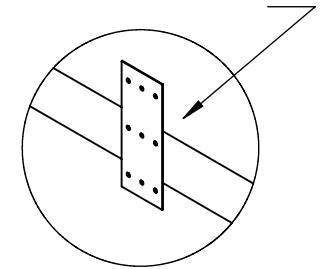
- 1) Remove existing RTU and curb adapter if applicable.
- 2) Clean surface of existing curb of any gasket or caulk. Apply CDI provided gasket around perimeter of curb and around all duct connections.
- 3) Set CDI curb adapter onto existing curb and align supply and return ducts. Some adapters may require cutting supply and/or return duct openings.
- 4) Install turnbuckle tie-down straps (Qty 4) so the largest hole is approximately 14" from where the RTU lifting holes will be once RTU is set in place. Drill 2 holes for provided 3/8" bolts through curb adapter walls. Attach each bracket using provided hardware.
- 5) Gasket top surface of adapter around perimeter and around the supply and return openings.
- 6) Install RTU as normal.
- 7) Install turnbuckle between turnbuckle tie-down and lifting holes of RTU. Tighten turnbuckle without deforming adapter wall or RTU base rail.
- 8) Install 14 Ga. adapter tie-downs with a minimum of 2 per side. Spacing to be a maximum of 48" between tie-downs. Each tie-down to have a minimum of qty 3 - 1" #12 self-tapping screws screwed into the base flange of the curb adapter and a minimum of qty 3 - #12 self-tapping screws screwed into the existing curb wall. The length of these screws must be adequate to securely fasten into the steel wall of the existing curb. CDI to provide 3" screws to attach tie-downs to existing curb. If longer screws are necessary, contractor will be responsible for providing them.

Attn: Installing Contractor Tag: Target Stores



(TURNBUCKLE TIE-DOWNS)
QTY 2 - 3/8" BOLTS
PER TIE-DOWN

(ADAPTER TIE-DOWNS)
QTY 6 - #12 SELF-TAPPING
SCREWS PER TIE-DOWN



Adapter Wall Length	# of Adapter Tie-Downs
Under 7'	2 straps
7' - 10'	3 straps
10' - 14'	4 straps
14' - 18'	5 straps
18' - 22'	6 straps
18' - 26'	7 straps

APPROVALS		DATE	TITLE:	
DRAWN: M.DAVIDS			Target Hold Down Drawing	
CHECKED:			FILE NAME:	
Thursday, July 24, 2008 11:35:12 AM			DRAWING NO.:	
CDI 17560 TYLER ST NW ELK RIVER, MN 55330 (763)391-7790 (763)391-7851			ECO #:	
			SCALE: 1:24	
			SHEET: 1 OF 1	
			REV: 1	